

Installation

1. Mount gun on a support. Use 12 mm (15/32") \varnothing hole in gun body
2. Connect compressed air to quick connection no. 40. Please use clean lubricated air.
3. 3-way control valve (minimum flow \varnothing , 1/4") as close as possible to the gun. When using a 3-way solenoid valve, valve is „normally closed“ when deenergized. Actuation of valve can be made through an automatic timer or manually.
4. Connect material feed (compound hose) to hose connection no. 15.

Start-up

1. Open stop cock no. 13.
2. Deaerate the gun. There are 2 possibilities:
 - a) Fundamental aeration of the whole system:
Please unlock retaining nut no. 30, 2–3 times until no air will come out or till compound will emerge. Then lock again.
 - b) Quick aeration of the gun:
Put the blade of a screwdriver to the groove of the nozzle nut no. 1 and press down the nozzle until no air will come out. After the screwdriver has been removed, the system is closed automatically. Please check that the position of the nozzle has not become changed.
3. Actuate control valve automatically or manually.
4. Adjust quantity of spray volume by means of knurled knob no. 26.

Care and maintenance

- A** To avoid damaging seals, never immerse spray gun in hot water or aggressive cleaning fluids.
Keep movable parts clean and lubricate them when maintaining.
- B** Exchange of cartridge
The most important spare parts are put together as a cartridge. If you will have on stock a compl. cartridge the exchange of worn spare parts is very quick. You only need a spanner (size 30) to replace the compl. cartridge. Afterwards you have time to check the different parts.
Please assure that the cup seal no. 9 must be installed with the sealing lip towards the nozzle.
- C** Exchange of valve piston no. 6
Remove retaining nut no. 3. Extract valve piston no. 6 with a pincers and press in the new valve piston by hand.
- D** Replacement of plunger
Please unlock retaining nut no. 25. Then remove cylinder cover no. 23 and take out the compl. cartridge, the plunger and the piston assembly.
If the plunger is defective, the plunger has to be pressed out of the piston assembly no. 38. The best way is to heat up the piston with 150 to 200°C, then it is easy to remove the old one and to fit the new plunger. Before fitting again to the gun the flat seal no. 20 has to be replaced. Also the inner wall of the cylinder and the plunger has to be lubricated with graphitic oil.

Tips for trouble shooting

No compound emerges from nozzle:

- A** *Insufficient air pressure:* increase to 75–90 p.s.i.
Guide bush of piston guide no. 7 is worn out.
Exchange cartridge and replace piston guide.
- B** *Gun or whole system not properly deaerated:*
See „Start-up, pos. 2“.
- C** *Nozzle blocked:*
Remove nozzle and clean.
- D** *Check valve no. 17 binds or leaks:*
Clean or replace
- E** *Material hardened in feed line:*
Clean line and stop cock no. 13.
- F** *Plunger no. 36 binds, does not retract:*
Exchange compression spring no. 37 and/or piston assembly no. 38 or flat seal no. 20.
- G** *Gun dribbles:*
Valve piston no. 6, valve seat no. 4 or compl. piston guide no. 7 could get worn out. Replace these parts.
- H** *Filter cartridge of the strainer behind pump or pressure vessel is foul:*
Please take out and clean.

When using buffing compound:

To obtain trouble free operation and minimum rate of wear, use airless compositions suitable for high pressure applications.

We reserve the right to make changes for the purposes of improvements and technical progress.

SECURITY ADVISE:

Never point guns at yourself or at other persons.

Before any repair work may be carried out, the guns must be disconnected from the compressed air network and pressure must be released. Further on the stop cock no. 10.182.6 for the spraying compound has to be closed.

Defect components have to be repaired or replaced, use original Widoberg spare parts only.

Before starting to use the gun, particularly after repairs, ensure that screws and nuts are correctly tightened and check that tubes or hoses are not leak and properly fixed to the gun.

Parts list

Item no.	Description	Part no.	Item no.	Description	Part no.
1	Nozzel nut	11.001.9	22	O-ring	10.161.3
2	Teflon seal	11.175.9	23	Cylinder cover	11.150.3
3	Retaining nut	11.002.7	24	O-ring	10.170.2
4	● Valve seat	10.129.0	25	Retaining nut	11.155.4
5	O-Ring	11.003.5	26	Knurled knob	11.153.8
6	● Valve piston	11.004.3	27	Flat head screw	11.154.6
7	● Piston guide, compl.	11.012.4	28	Gun body with opening for control sensor	11.101.5
8	Cartridge body	11.008.6	29	Usit sealing ring	10.167.2
9	● Cup seal	11.009.4	30	Inspection plug	11.103.1
10	Sealing cap	11.173.2	31	Bush	11.144.9
11	Adapter	11.171.6	32	Cylinder flange	11.141.4
12	Threaded bush incl. nut	11.176.7	33	Retaining ring	11.143.0
13	Stop cock	10.182.6	34	Fastening screw	11.142.2
14	Sealing ring 1/4"	10.185.0	35	Cylinder	11.148.1
15	Hose connection	11.172.4	36	● Plunger	11.146.5
16	Connection piece	11.170.8	37	● Compression spring	11.145.7
17	● Compl. check valve	11.160.0	38	● Piston assembly	11.147.3
18	Grooved pin	11.106.6	39	Sealing ring 1/8"	11.157.0
19	O-ring	11.105.8	40	Quick connection	11.156.2
20	● Flat seal	10.164.8	41	Complete cartridge	11.000.0
21	Spindle	11.151.1	42	Nozzle	

● These parts subject to wear and should be kept in stock. We recommend to stock 1 complete cartridge. So it is possible to change the most important wearing out parts in a very short time.

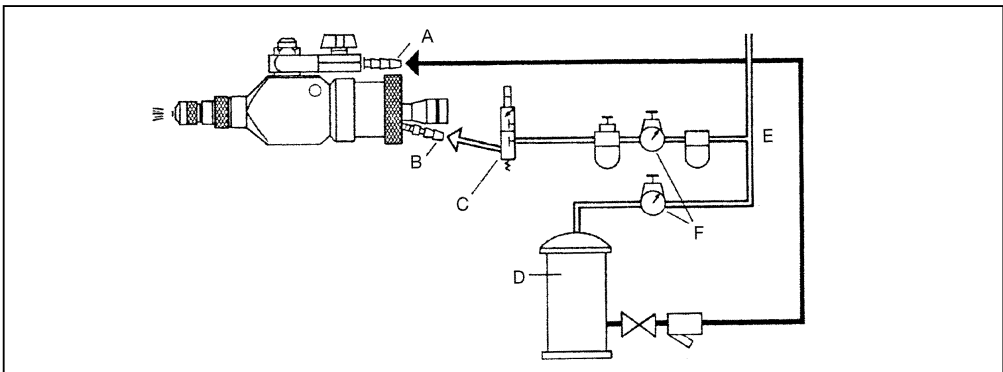
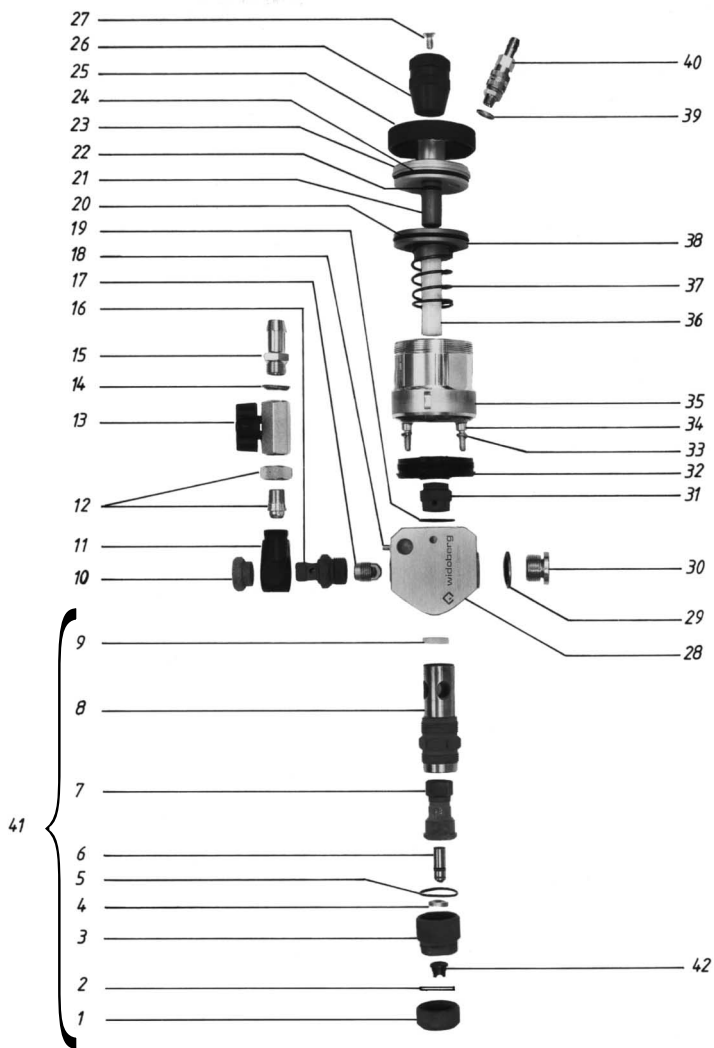
Technical Data

Air pressure/spray	75–90 p.s.i.
Material (compound) pressure	50–90 p.s.i.
Hose ID; Air	3/8"
Hose ID; Material (compound)	1/2"
3-way valve - normally closed – port size	3/8" NPT
Minimum flow	∅ 1/4"
Spray amount per shot (adjustable)	0,2–6 cm ³
Air consumption/spray gun	approx. 0,75 m ³ /h

Control circuit

(See page 24)

A	Compo connection
B	Air connection
C	Solenoid valve
D	Pressure vessel or pump
E	Main line
F	Pressure control



Empfohlener Abstand der Spritzdüse zum Werkzeug:¹⁾

Düse ²⁾ Spritzwinkel ³⁾	Stahlbreite mm (= Scheibenbreite) ⁴⁾														
	600	500	400	300	200	180	160	140	120	100	80	50	20	●	
●															75
20°												230	140	60	
40°							220	190	165	135	110	70			
65°				235	155	140	125	110	95	78					
90°	300	250	200	150	100	90	80								
120°	173	144	115	87											

(B) **(F)** **(L)**

¹⁾Distance recommandée entre la buse et l'outil; ²⁾Buse; ³⁾angle de pulvérisation; ⁴⁾Largeur du jet mm (= largeur du disque)

(DK) ¹⁾Anbefalet afstand sprøjtedyse / emne; ²⁾Dyse; ³⁾Sprøjtevinkel; ⁴⁾Strålebredde mm (= skivebredde)

(E) ¹⁾Distancia recomendada entre la tobera pulverizadora y la herramienta; ²⁾Tobera; ³⁾ ángulo de pulverización; ⁴⁾Ancho de la boca en mm (= Ancho de disco)

(FIN) ¹⁾Suosittu ruiskusuuttimen etäisyys työkaluun; ²⁾Suutin; ³⁾Ruiskukulma; ⁴⁾Suihkuleveys mm (liuskan leveys)

(GB) **(IRL)**

¹⁾Approx. Distance between nozzle and buff; ²⁾Nozzle; ³⁾Spray angle; ⁴⁾width of jet (= width of mop)

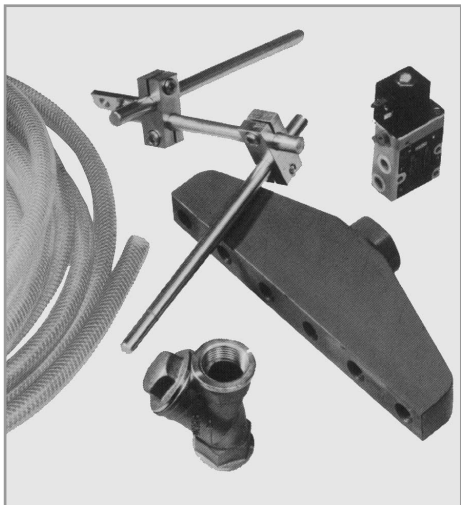
(GR) ¹⁾ΑΠΟΣΤΑΣΗ ΜΕΤΑΞΥ ΠΡΟΦΥΣΙΟΥ ΚΑΙ ΒΟΥΡΤΣΑΣ (INCHES); ²⁾ΠΡΟΦΥΣΙΟΥ; ³⁾ΓΩΝΙΑ; ⁴⁾ΠΛΑΤΟΣ ΔΕΣΜΗΣ (ΠΛΑΤΟΣ ΒΟΥΡΤΣΑΣ)

(I) ¹⁾Distanza approssimativa in mm. dall'ugello di spruzzatura alla ruota; ²⁾ugello; ³⁾angolo spruzzatura; ⁴⁾larghezza spruzzo (larghezza ruota)

(NL) ¹⁾Aanbevolen afstand van de straalpijp tot het werktuig; ²⁾straalpijp; ³⁾spuithoek; ⁴⁾straalbreedte mm (=schijfbreedte)

(P) ¹⁾Distância recomendada entre o bocal pulverizador e a ferramenta; ²⁾Bocal; ³⁾Angulo de pulverização; ⁴⁾Largura do jacto mm (= largura do vidro)

(S) ¹⁾Rekommenderat avstånd mellan munstycke och skiva; ²⁾Munstyckets; ³⁾sprutvinkel; ⁴⁾Polermedelstrålens bredd i mm (= skivans bredd)



Widoberg barrel-nozzles consisting of a special alloy and a barrel shaped compression chamber developed through many experiments guarantee long life and a constant spray angle even when spraying very abrasive materials.

Spray angle:
40°, 65°, 90°, 120°



Widoberg standard nozzles of a high grade tungsten carbide are suited for less abrasive materials.

Spray angle:
0°, 20°, 40°, 65°, 90°, 120°

Accessories

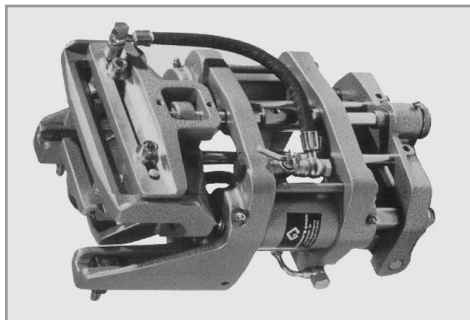
We supply all accessories such as electronic controls solenoid valves, gun mounting devices, compound feed pumps, pressure tanks, air and compound hoses, etc.

Furthermore, we also install and maintain our guns.

Widoberg applicators for bar compound.

Model WPZ 80 for maximum bar dimensions of 500 x 80 x 40 (h) mm (19 5/8" x 3 1/8" x 1 9/16" high).

WPZ 150 for maximum bar dimensions of 500 x 150 x 40 (h) mm (19 5/8" x 5 7/8" x 1 9/16" high).



**widoberg
gmbh**

Siemensstraße 13 A · D-63128 Dietzenbach
Tel. 06074 - 407 910 · Fax 06074 - 819 49 45
www.widoberg.com · info@widoberg.com